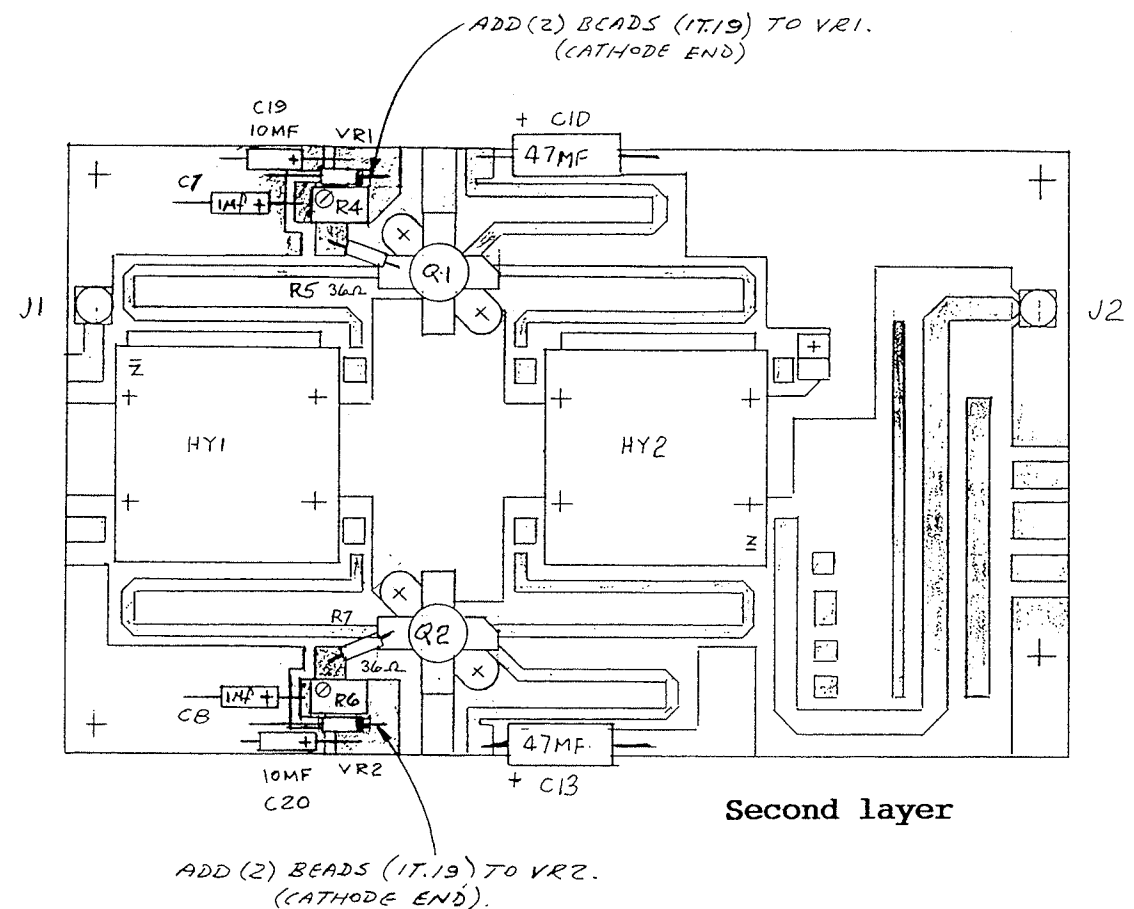
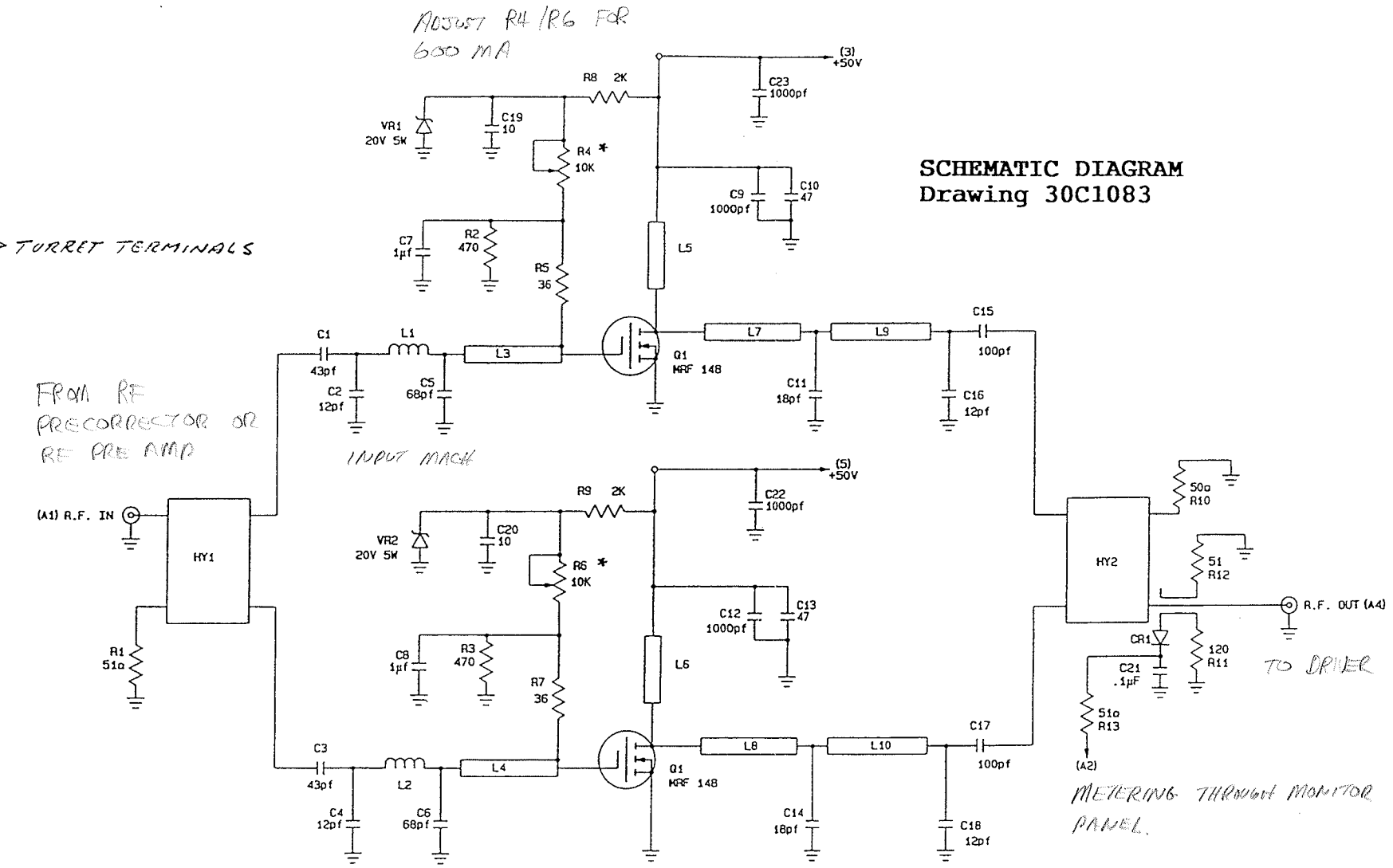


ASSEMBLY DIAGRAM
Drawing 30C1088

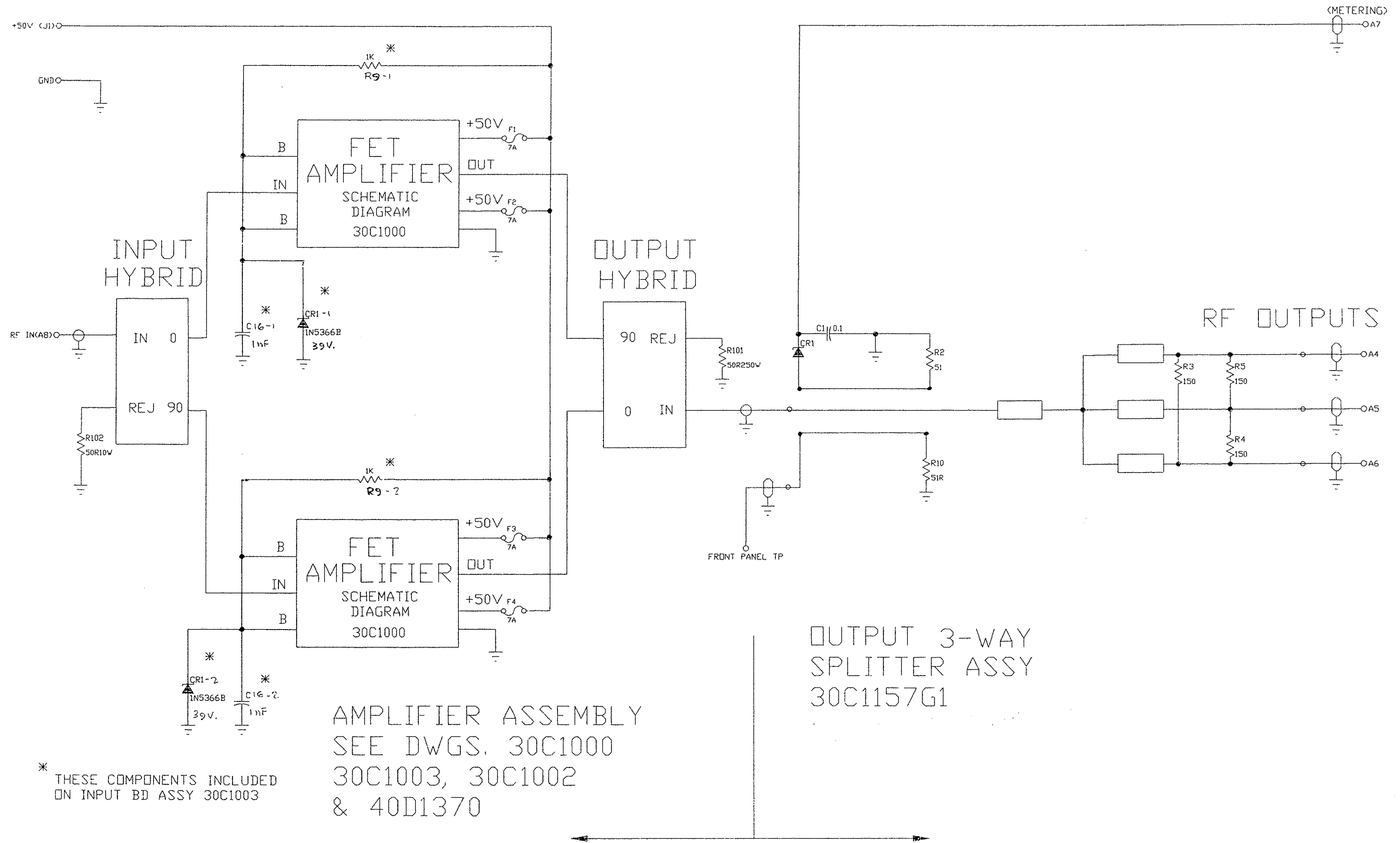


ADD (2) BEADS (1T,19) TO VR1.
(CATHODE END)

ADD (2) BEADS (1T,19) TO VR2.
(CATHODE END).



ASSEMBLY & SCHEMATIC DIAGRAMS,
HB Vis & Aur IPA RF CIRCUIT BOARD,
Dwgs 30C1088 rev 4 & 30C1083 rev 4.0.1;



**WIRING DIAGRAM,
 HB VISUAL DRIVER for 3 kW,
 Drawing 20B2067 rev 0.**

Figure 22.