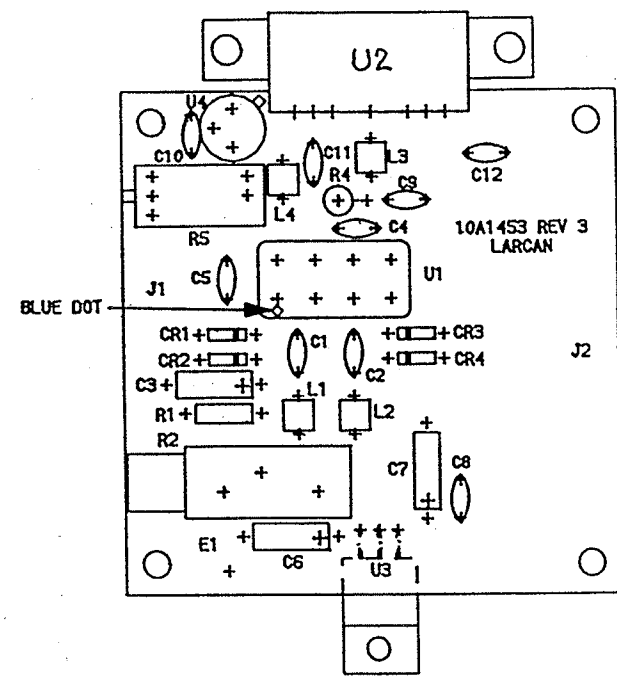


\* C12 ONLY USED WHEN U2 IS CA2885.

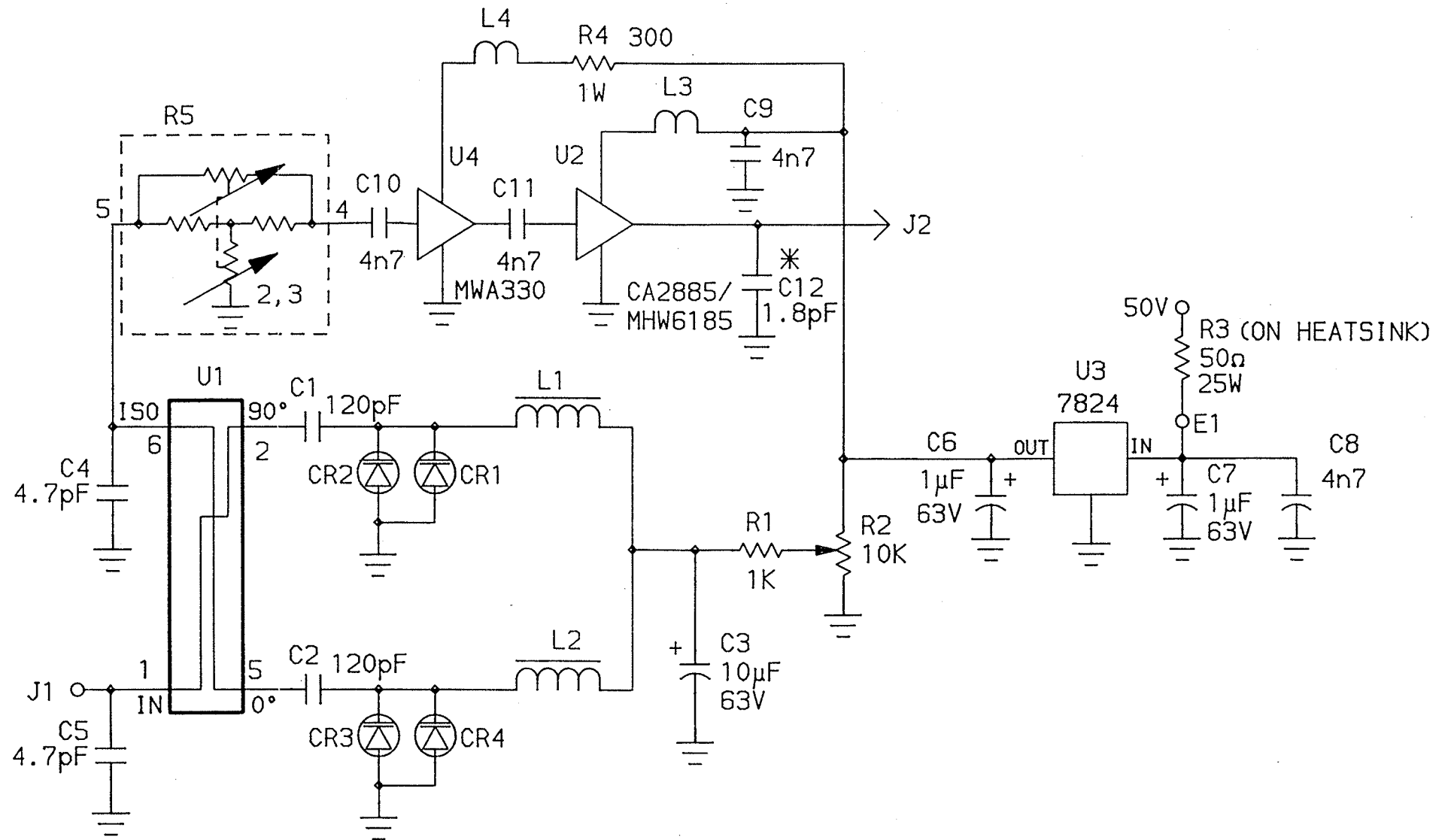


ASSEMBLY G1 HI BD

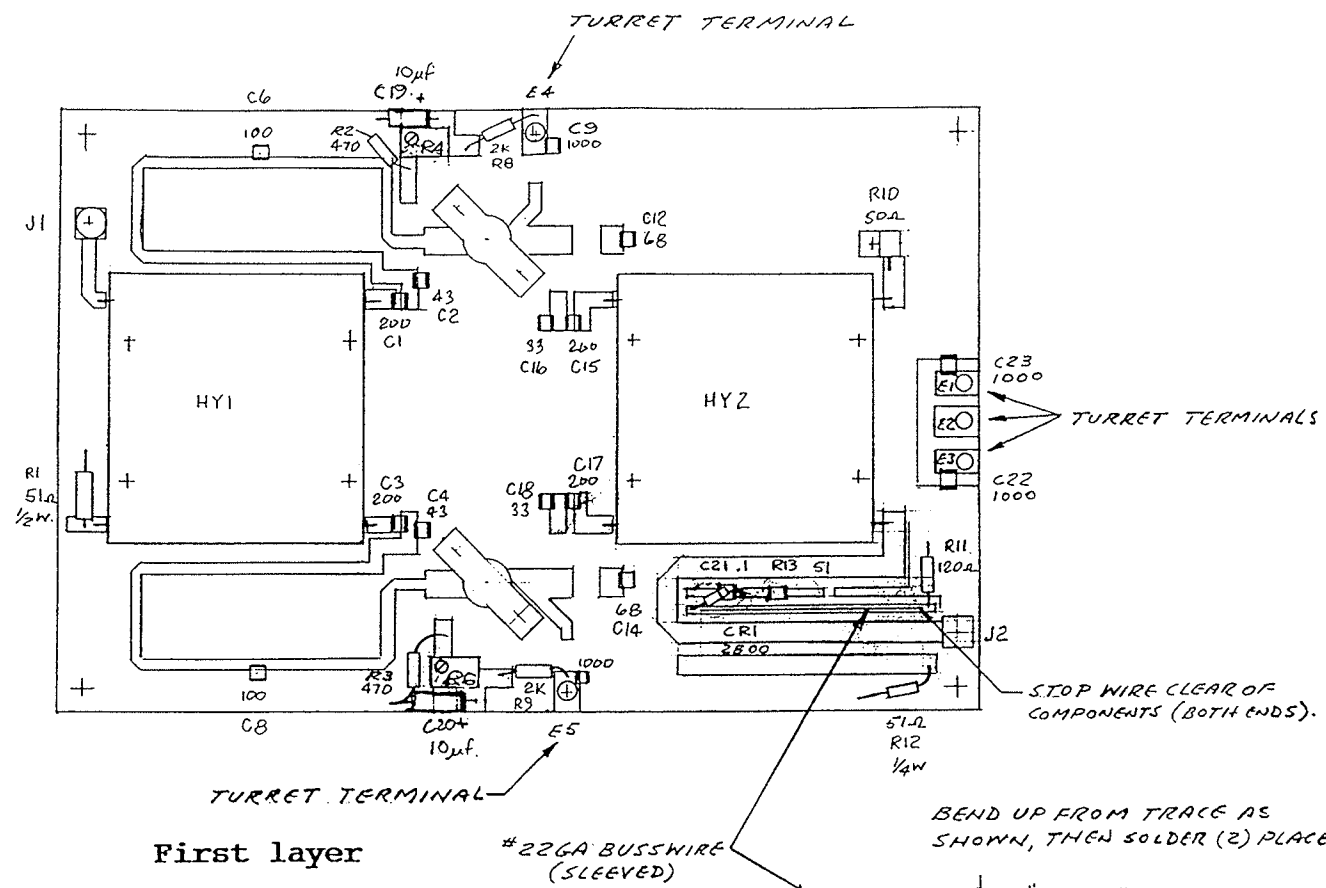
ASSEMBLY G3 DRIVER RETROFIT

NOTE

U2 AND U3 TO BE SOLDERED ON AT LATER ASSEMBLY.  
OR USE ASSEMBLY JIG.

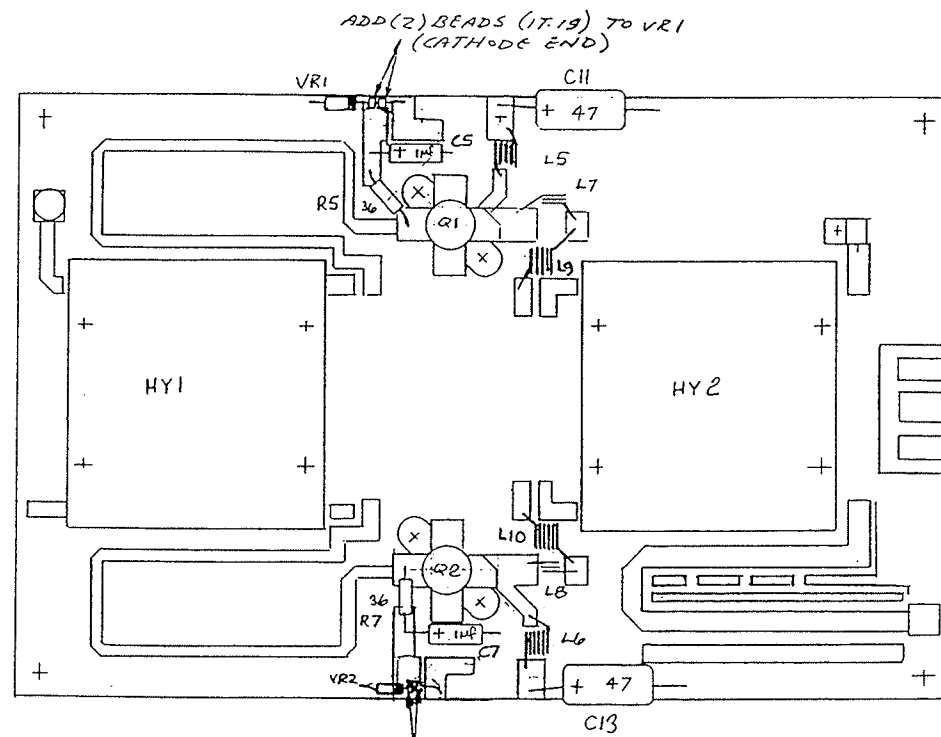


HIGH BAND PREAMPLIFIER ASSEMBLY & SCHEMATIC,  
Ref Dwgs: Assembly 10A1453 sht 1 rev 3,  
Schematic 10A1453 sht 7 rev 7,

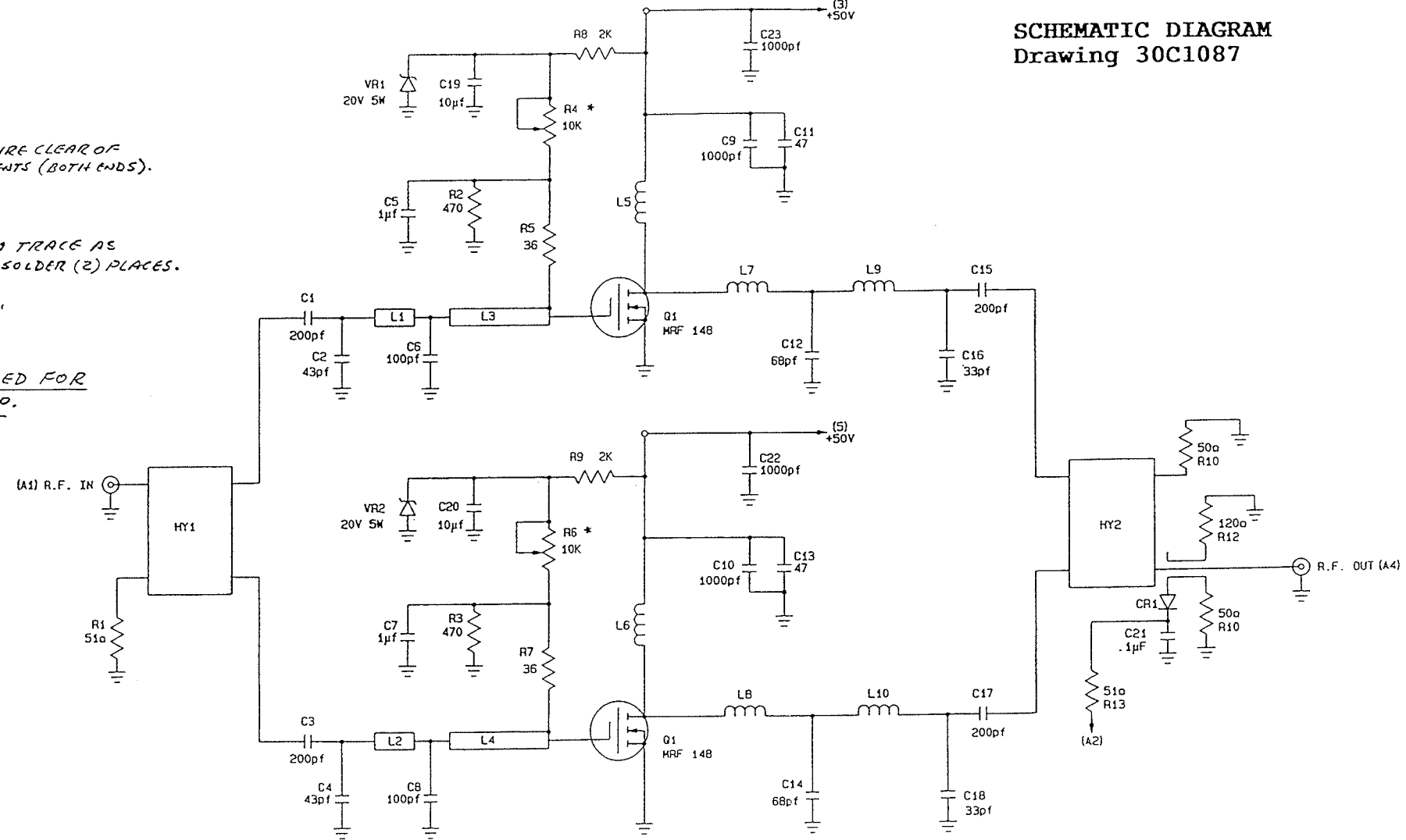


First layer

ASSEMBLY DIAGRAM  
Drawing 30C1118



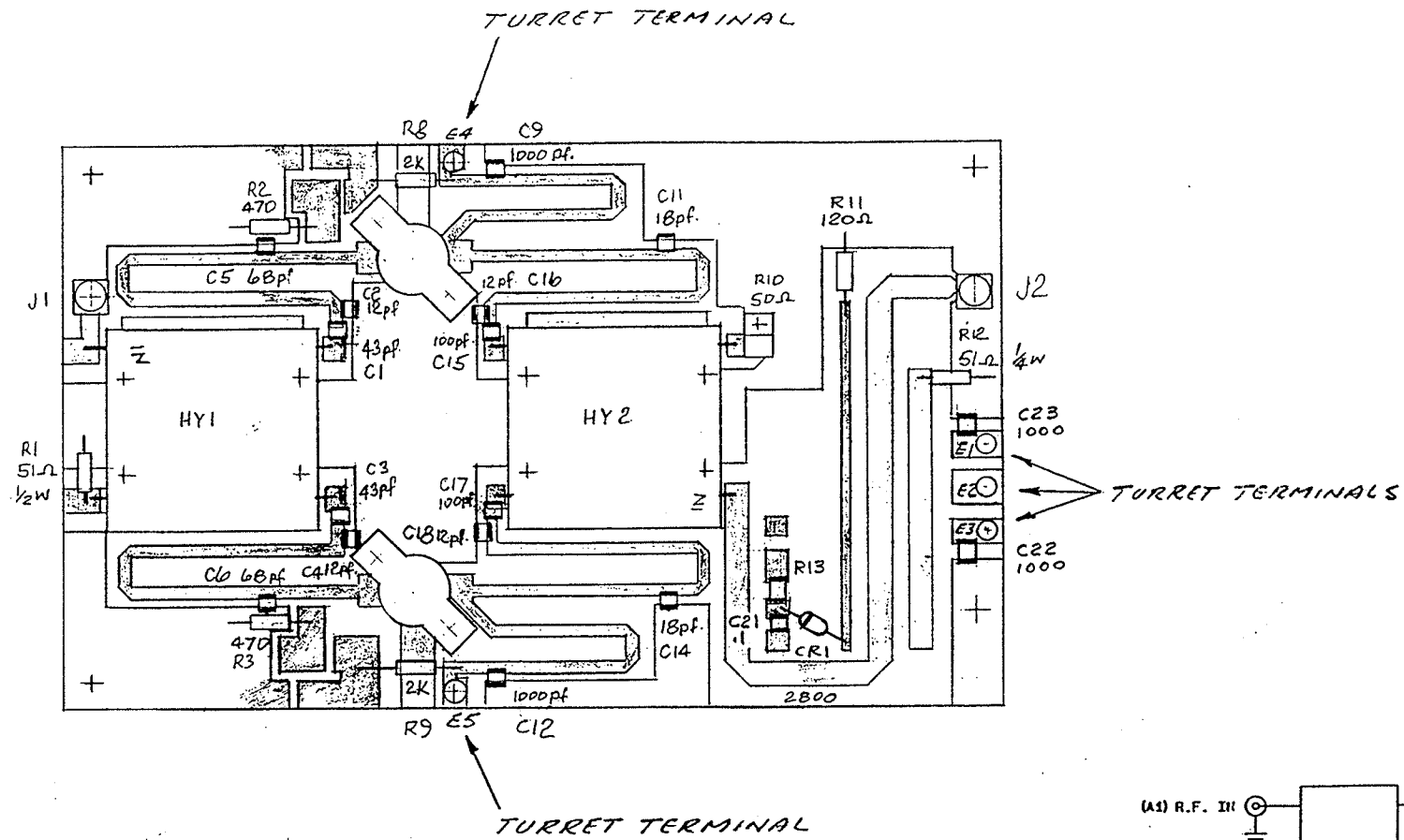
Second layer



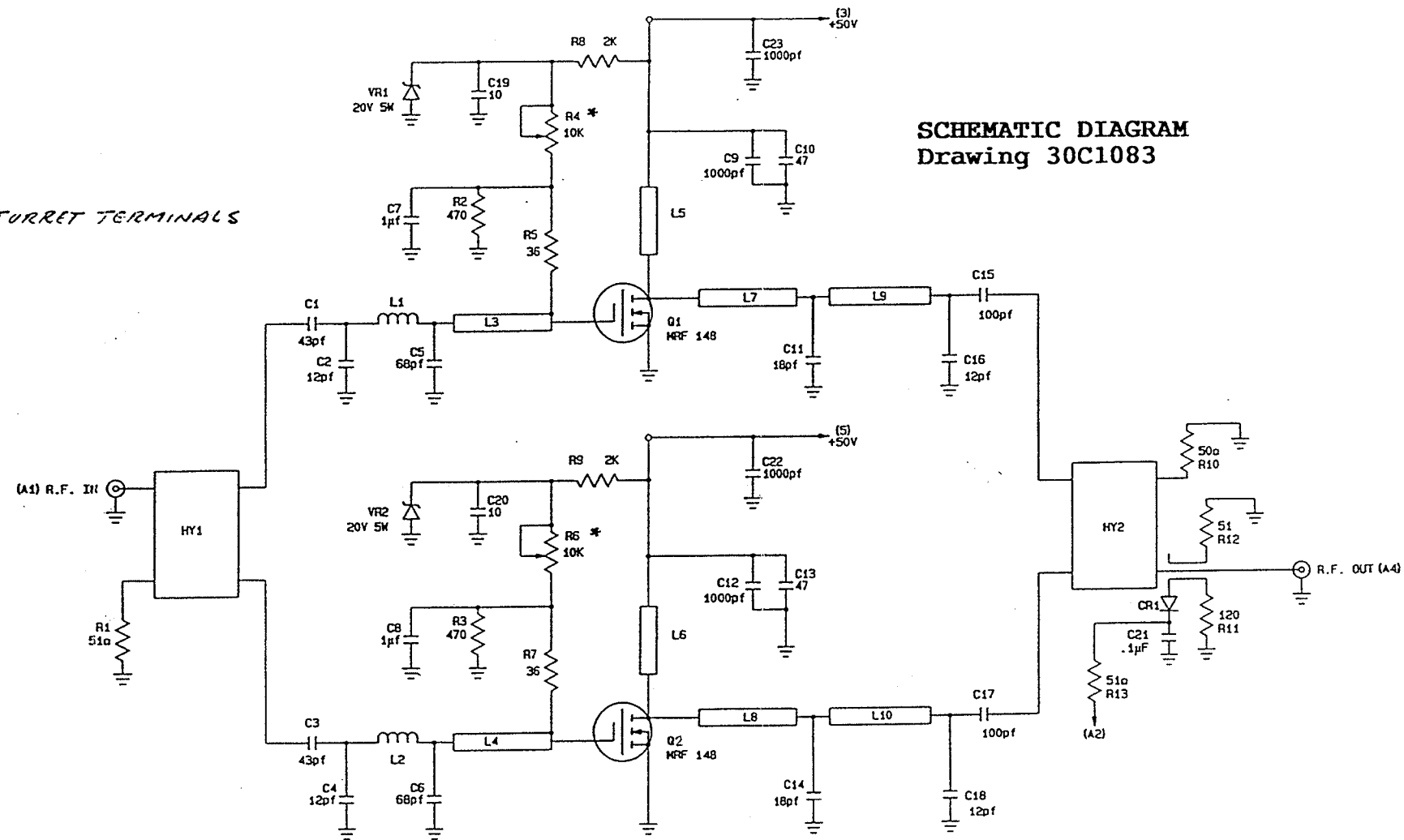
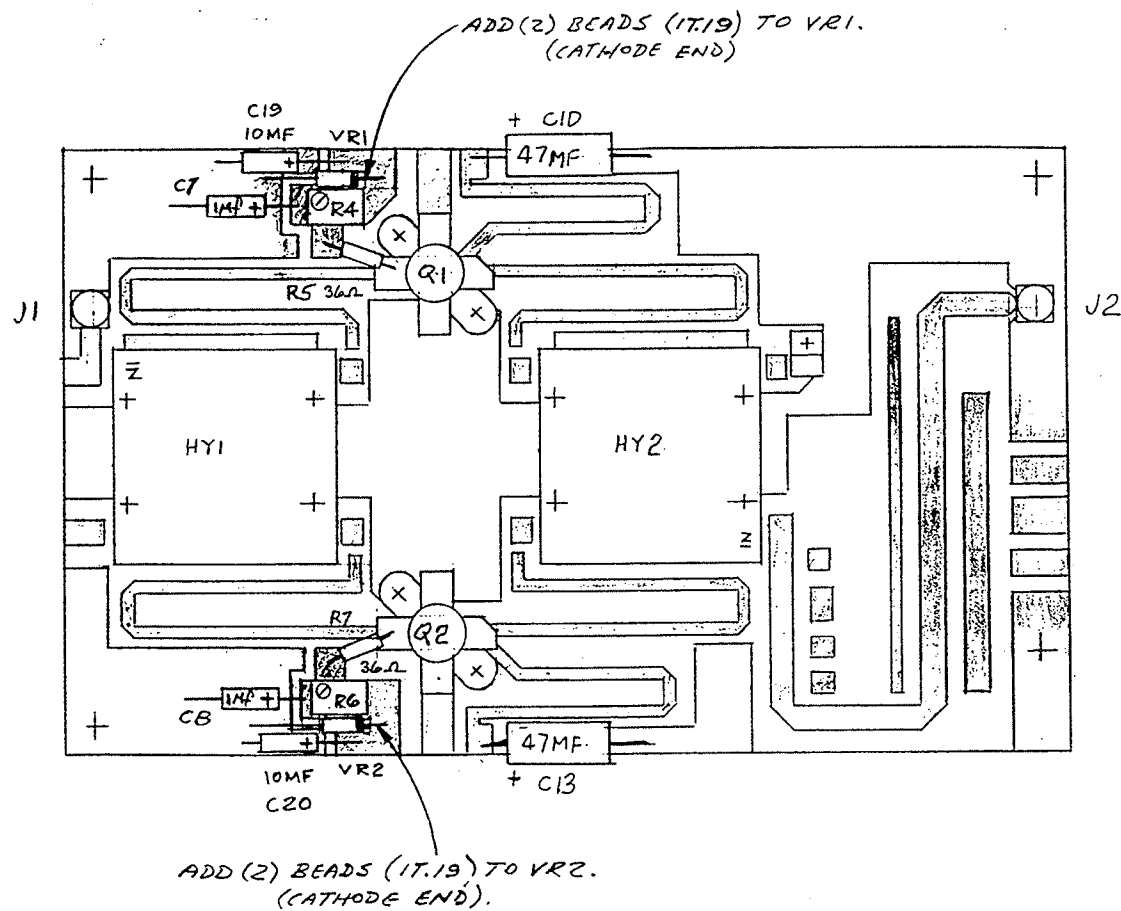
SCHEMATIC DIAGRAM  
Drawing 30C1087

\* ADJUST R4 AND R6 FOR 600 mA EACH IN Q1 AND Q2 FOR EITHER VISUAL OR AURAL RF SERVICE.

ASSEMBLY & SCHEMATIC DIAGRAMS,  
LB Vis & Aur IPA RF CIRCUIT BOARD,  
Dwgs 30C1118 rev 5 & 30C1087 rev 4.0.1;



ASSEMBLY DIAGRAM  
Drawing 30C1088



\* ADJUST R4 AND R6 FOR THESE IDLING DRAIN CURRENTS  
IN Q1 AND Q2 RESPECTIVELY: SET BOTH TO 600 mA FOR  
VISUAL RF SERVICE, AND 300 mA FOR AURAL RF SERVICE.  
600 mA

ASSEMBLY & SCHEMATIC DIAGRAMS  
HB IPA RF CIRCUIT BOARD  
Drawings 30C1088 & 30C1083

Figure 25.