

Technical Bulletin 3

Model
911 1987-89

Subject: 911 Clutch Release Bearing

Page
1 of 1

Models Affected:

911 Carrera, 1987-89

General Information:

A new version clutch release bearing and guide sleeve is now available. The new bearing has a polyamide insert which contacts the guide sleeve. The inner diameter of the release bearing and outer diameter of the guide sleeve are 2mm smaller than the former version.

Parts Description:

The new version release bearing can be identified by a polyamide insert which is slit (see figure 1) and has an inner diameter of 32mm. The new version guide sleeve can be identified by measuring the outside diameter of the guide sleeve. It measures 31.8mm (see figure 2).

Release Bearing
32.0mm (formerly 34.0mm)

Guide Sleeve
31.8mm (formerly 33.8mm)

Repair Information:

Once existing stock of the former version release bearing and guide sleeve have been depleted, only the new version will be available.

Care must be taken not to mix new version release bearing and guide sleeve with former version release bearing and guide sleeve.

Important Information:

When installing new version release bearing and guide sleeve, **NO LUBRICATION** should be used on the sliding surfaces of the new version release bearing and guide sleeve.

Parts Information:

Release Bearing 950 116 080 07
(formerly 950 116 080 05)
Guide Sleeve 950 116 813 06
(formerly 950 116 813 010/01)

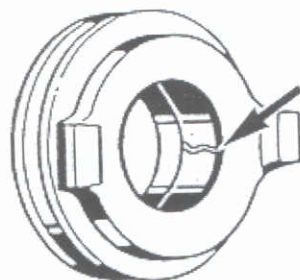
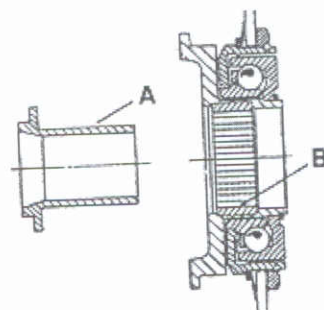


Figure 1



A Guide Sleeve
B Release Bearing

Figure 2