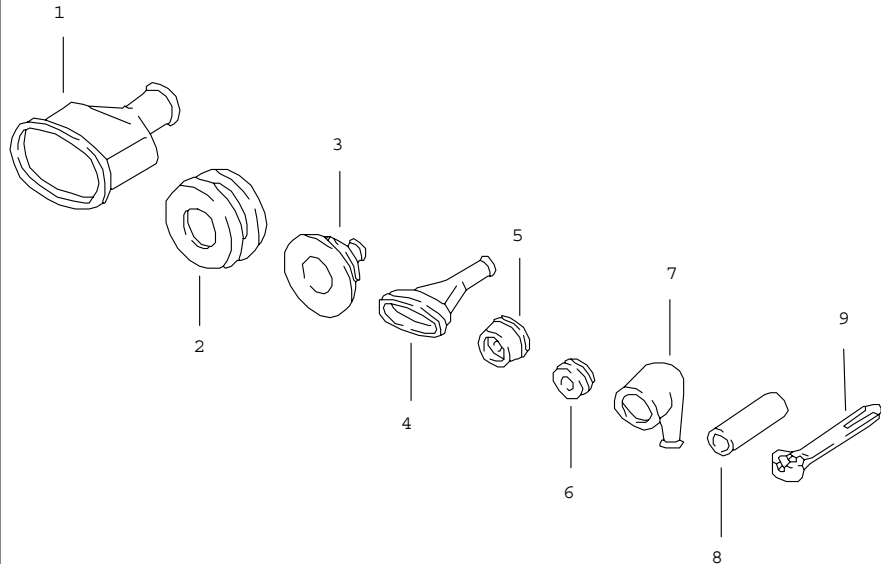
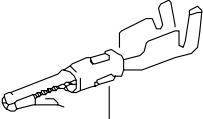
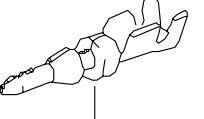
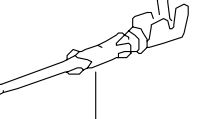
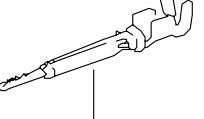
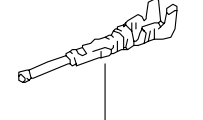
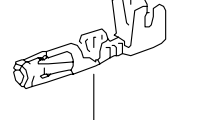
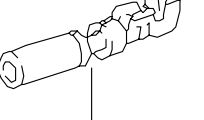
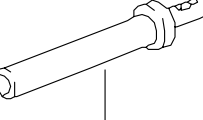
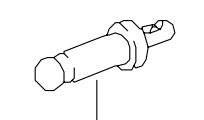
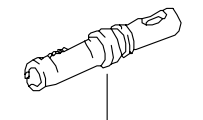
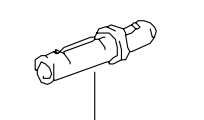
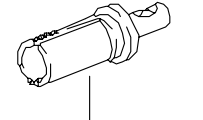
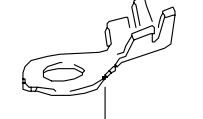



Model	Year	MG	SG	Illustration	Restrictions	Update	10:00	08.04.2005	PORSCHE	PET	PORSCHE
9442	88	9	02	902-37		187					

Pos	Part Number	Name	Remarks	Qty	Model
		protective grommet tie-wrap			
1	431 971 866	protective grommet for terminal sleeve housing		X	
2	477 971 871 B	protective grommet for wiring harness engine		1	
3	021 119 569	rubber sleeve for wiring harness rear end		1	
(3)	477 971 911	protective grommet for wiring harness battery		1	
(3)	944 612 324 00	rubber sleeve		1	
4	022 906 102	protection cap		X	
(4)	944 612 128 00	protection cap		X	
5	411 941 189	grommet		X	
6	111 941 189	drain bush		X	
7	E 113 927 249	protection cap		1	
8	059 971 891	sleeve		X	
		tie-wrap			
9	477 971 850 A	tie-wrap 360 X 4,5		X	
(9)	N 020 902 1	tie-wrap 120 X 6,5		X	
(9)	999 513 003 40	tie-wrap 140 X 3,6		X	
(9)	999 513 049 40	tie-wrap for bolt		X	
(9)	999 513 010 40	tie-wrap for bolt		X	
(9)	443 971 850 A	tie-wrap for bolt		X	



Model	Year	MG	SG	Illustration	Restrictions	Update	10:01	08.04.2005	PORSCHE	PET	PORSCHE
9442	88	9	02	902-50		187					

				Pos	Part Number	Name	Remarks	Qty	Model
				1	N 017 586 2	round connector contact pin cable shoe		X	
				2	944 612 428 00	round connector \$ 0,5 - 1,0 CUZN		X	
				3	N 017 564 1	round connector \$ 0,5 - 1,0 CUSN		X	
				4	N 017 562 4	cylindrical connector \$ 0,5 - 1,0 CUSN		X	
				6	N 017 599 4	cylindrical connector \$ 2,5 - 6,0 CUSN		X	
				7	944 612 427 00	contact bush \$ 0,75 - 1,5 CUSN		X	
				8	999 652 369 12	pin \$ 0,5 - 2,0 CUAG		X	
				9	911 612 907 00	contact pin \$ 0,5 - 2,0 CUAG		X	
				10	944 612 548 00	contact bush \$ 0,5 - 2,0 CUAG		X	
				11	999 652 351 22	contact bush \$ 0,5 - 2,0 CUBE		X	
				12	999 652 371 12	bush \$ 0,5 - 2,0 CUAG		X	
				13	N 017 505 4	cable shoe \$ 5,0 - 1,0		X	
				(13)	N 017 515 4	cable shoe \$ 5,0 - 2,5		X	
				(13)	N 017 516 2	cable shoe \$ 6,0 - 2,5		X	
				(13)	N 017 518 2	cable shoe \$ 8,0 - 2,5 CUSN		X	
				(13)	999 652 246 10	cable shoe \$ 8,0 - 2,5 CUSN		X	
				(13)	999 652 235 10	cable shoe \$ 10 - 2,5		X	
				14	999 652 208 10	cable shoe \$ 6,0 - 2,5		X	

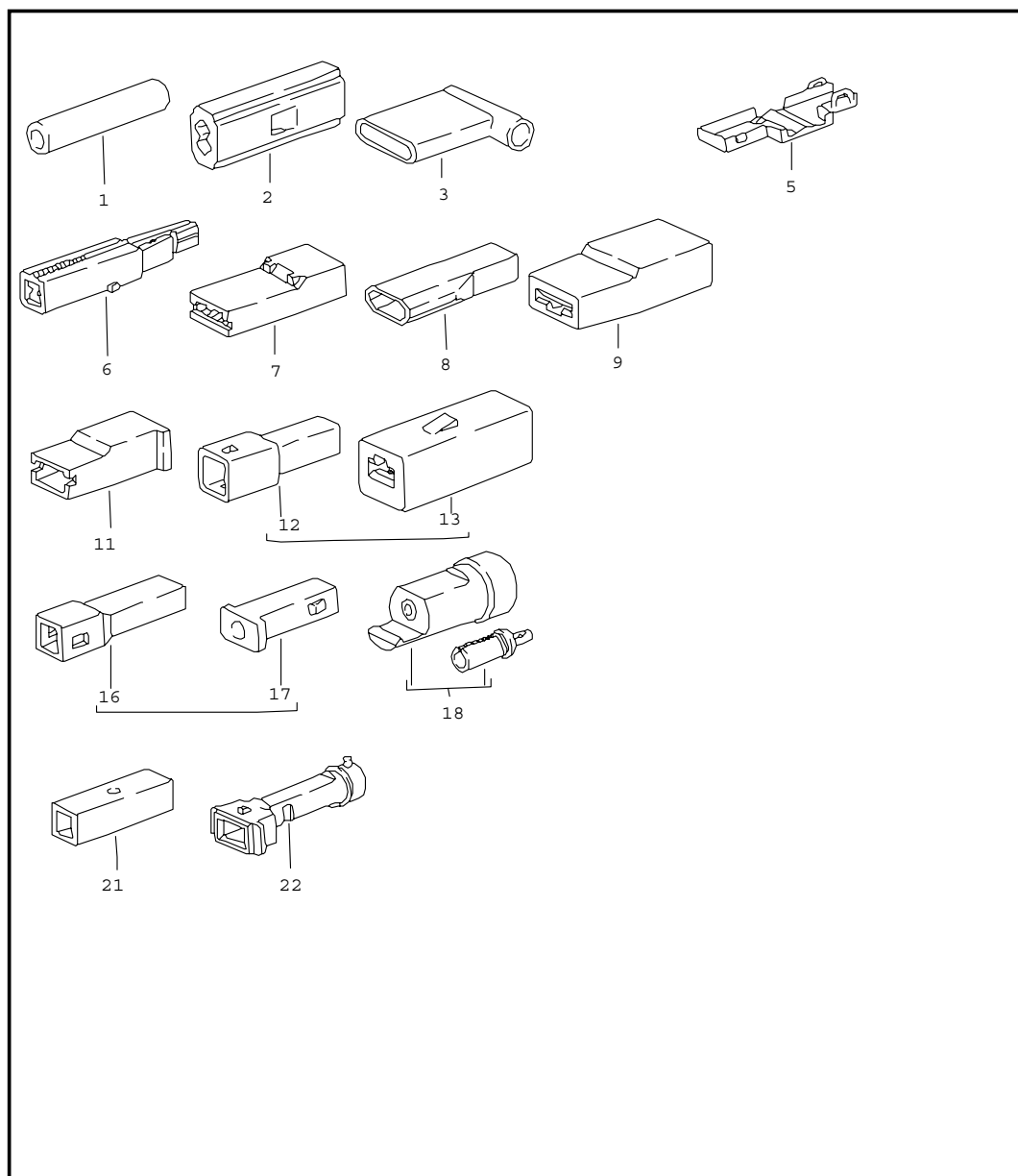
Model	Year	MG	SG	Illustration	Restrictions	Update	10:01	08.04.2005	PORSCHE	PET	PORSCHE
9442	88	9	02	902-52		187					

Pos	Part Number	Name	Remarks	Qty	Model
1	111 971 958	flat plug push-on connector flat receptacle with clips 2,8 X 1		X	
(1)	N 017 243 1	flat receptacle without clips 2,8 X 1,5 CUZN		X	
2	111 971 959	flat receptacle with clips 6,3 X 1 CUSN		X	
2	N 017 491 8	flat receptacle with clips 6,3 X 2,5 CUZN		X	
2	N 017 494 3	flat receptacle with clips 6,3 X 6,0 CUSN		X	
(2)	999 652 106 02	flat receptacle without clips 6,3 X 1,5 CUSN		X	
3	N 017 453 1	flat receptacle without clips 7,7 X 2,5 CUZN		X	
3	N 017 245 1	flat receptacle without clips 7,7 X 10 CUSN		X	
5	N 017 242 1	flat receptacle with push-on connector 6,3 X 1		X	
6	N 017 498 2	flat receptacle 6,3 X 1 CUSN		X	
7	999 652 116 02	flat receptacle 6,3 X 1,5		X	
8	999 652 122 10	multiple plug connector 6,3		X	

Model	Year	MG	SG	Illustration	Restrictions	Update	10:01	08.04.2005	PORSCHE	PET	PORSCHE
9442	88	9	02	902-52		187					

Pos	Part Number	Name	Remarks	Qty	Model	Pos	Part Number	Name	Remarks	Qty	Model
9	N 017 457 2	flat plug with clips 2,8 X 1		X				- - - E N D - - -			
10	111 971 985	flat plug with clips 6,3 X 1		X							
10	111 971 986	flat plug with clips 6,3 X 2,5		X							
11	999 652 125 10	flat plug 6,3/\$ 2,8		X							
11	999 652 315 02	flat plug 6,3/\$ 5,3 CUSN		X							
(11)	999 652 315 02	flat plug 6,3/\$ 5,3		X							
12	911 603 911 00	connector 6,3		X							
13	171 971 519 A	ground connector 6,3		X							
14	999 652 142 40	push-on connector 6,3		X							
(14)	999 652 142 40	push-on connector 6,3 5-pole 6,3 single pole		X							
15	999 652 151 40	push-on connector 6,3		X							
16	999 652 275 10	contact 6,3		X							
17	N 903 353 03	contact spring \$ 2,5 - 3,5		X							
18	999 652 451 22	fitting piece 6,3/\$ 0,5 - 1,0		X							
19	999 652 380 12	contact spring \$ 0,4 - 0,75		X							
20	999 652 269 12	contact spring		X							
21	999 652 456 22	contact spring \$ 0,75 - 1,5		X							

Model	Year	MG	SG	Illustration	Restrictions	Update	10:01	08.04.2005	PORSCHE	PET	PORSCHE
9442	88	9	02	902-54		187					



Pos	Part Number	Name	Remarks	Qty	Model
		cable connection connector housing single pole			
1	999 652 149 40	cable connection \$ 1,5		X	
2	111 971 921	protection cap 6,3		X	
3	999 652 160 40	protection cap 6,3		X	
5	211 971 921	protection cap 6,3		X	
6	059 905 371	diode connector 6,3		X	
7	111 971 921 B	connector housing 6,3		X	
8	999 652 119 40	connector housing 6,3		X	
9	825 971 990	terminal sleeve housing 6,3		X	
11	431 971 995	terminal sleeve housing 6,3		X	
12	823 971 976	connector housing 2,8		X	
13	823 971 990	terminal sleeve housing 2,8		X	
16	171 971 998	connector housing 1,6		X	
17	171 971 999	terminal sleeve housing 1,6		X	
18	999 653 002 90	connector housing with		X	
-	999 652 371 12	bush		X	
21	111 971 977	plug with guide 6,3		X	
22	813 972 643 A	socket		X	
		- - - E N D - - -			

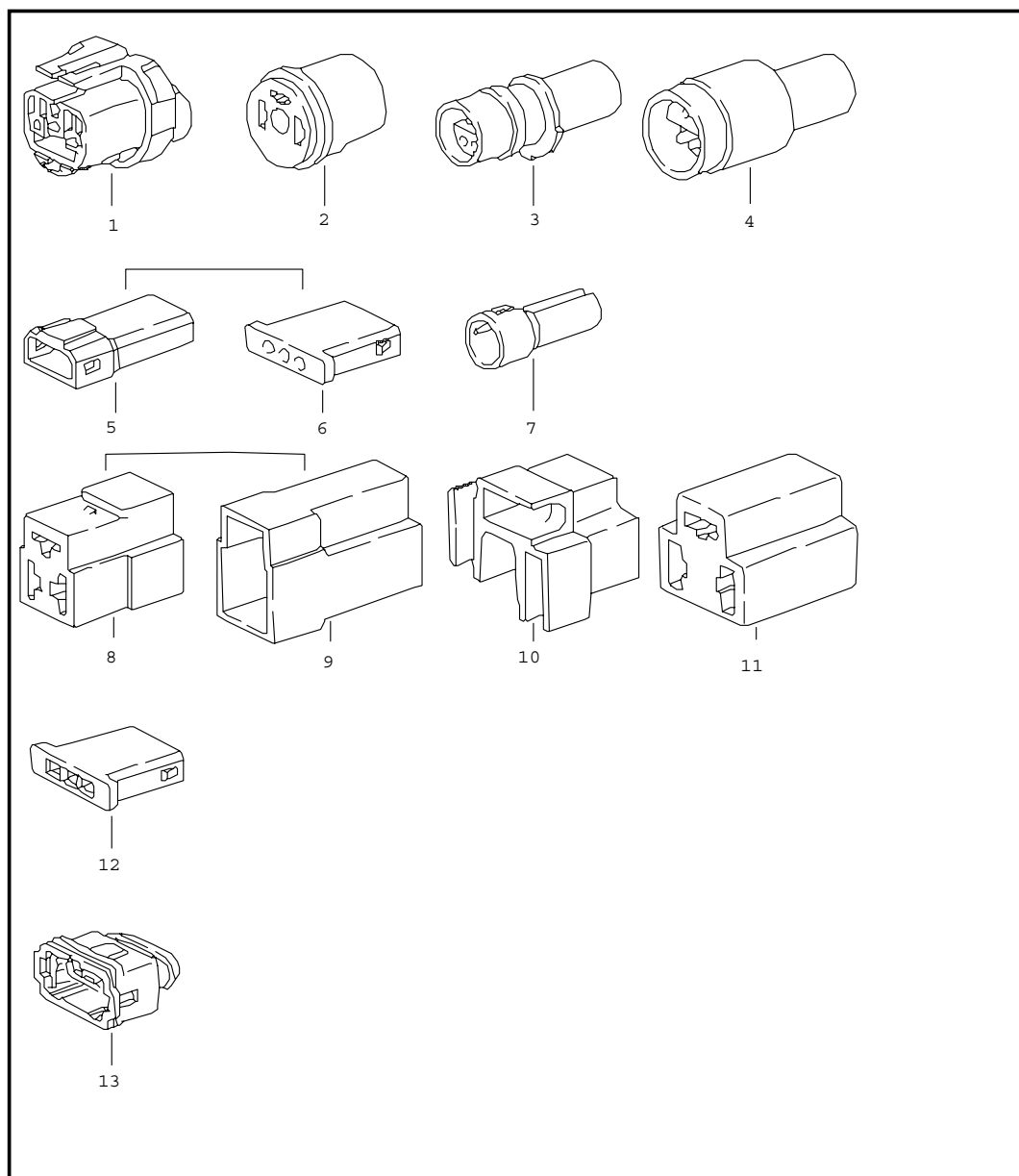
Model	Year	MG	SG	Illustration	Restrictions	Update	10:01	08.04.2005	PORSCHE	PET	PORSCHE
9442	88	9	02	902-56		187					

Pos	Part Number	Name	Remarks	Qty	Model
1	999 652 370 40	connector housing 2-pole		X	
-	999 652 371 12	bush		X	
2	999 652 372 40	clip		X	
3	999 652 368 40	connector housing for		X	
-	999 652 369 12	pin		X	
4	911 612 887 00	connector housing for		X	
-	999 652 351 22	contact bush		X	
5	928 612 557 00	connector housing for		X	
-	944 612 548 00	contact bush		X	
6	999 652 381 00	connector housing with contact bush		X	2
7	911 645 112 00	adapter plug with contact bush		X	2
8	944 612 547 00	connector housing for		X	
-	944 612 548 00	contact bush		X	
9	911 612 118 00	connector housing with contact bush		X	2
10	999 652 167 40	terminal sleeve housing 6,3		X	
11	999 652 192 47	connector housing 6,3		X	
12	810 971 989	connector housing 6,3		X	
13	171 906 231	connector housing 6,3		X	
14	171 971 934	connector housing 6,3		X	

Model	Year	MG	SG	Illustration	Restrictions	Update	10:01	08.04.2005	PORSCHE	PET	PORSCHE
9442	88	9	02	902-56		187					

Pos	Part Number	Name	Remarks	Qty	Model	Pos	Part Number	Name	Remarks	Qty	Model
15	815 971 989	connector housing 6,3		X							
16	022 906 231 A	connector housing grey for		X							
-	N 903 353 03	contact spring		X							
16	928 612 825 00	connector housing beige		X							
18	810 971 993	terminal sleeve housing		X							
19	171 971 998 A	terminal sleeve housing 1,6		X							
20	171 971 999 A	connector housing 1,6		X							
21	171 971 999 A	terminal sleeve housing 1,6		X							
22	944 612 439 00	connector housing for cigarette lighter		X							
		- - - E N D - - -									

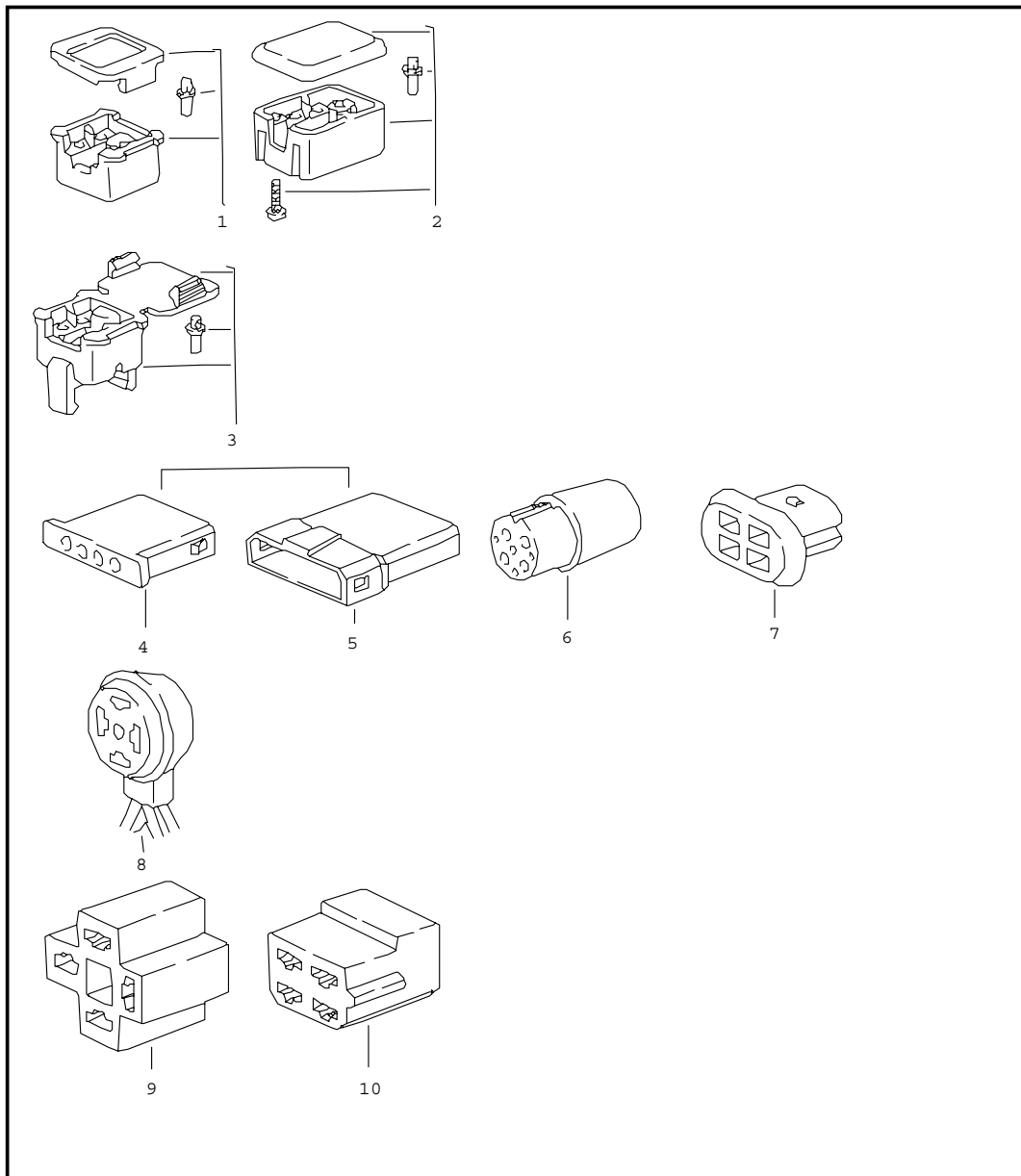
Model	Year	MG	SG	Illustration	Restrictions	Update	10:02	08.04.2005	PORSCHE	PET	PORSCHE
9442	88	9	02	902-58		187					



Pos	Part Number	Name	Remarks	Qty	Model
1	165 941 165	connector housing 3-pole		X	
2	113 945 525	connector housing 3,5		X	
3	944 612 436 00	terminal sleeve housing 6,3		X	
-	944 612 428 00	connector for round connector		X	
4	944 612 435 00	connector housing for		X	
-	944 612 427 00	contact bush		X	
5	171 971 998 B	connector housing 1,6		X	
6	171 971 999 B	terminal sleeve housing 1,6		X	
7	113 919 113	connector housing 1,6		X	
8	821 971 970	connector housing 6,3		X	
9	821 971 975	terminal sleeve housing 6,3		X	
10	111 941 341	terminal sleeve housing 6,3		X	
11	914 612 327 10	connector housing 6,3		X	
12	311 906 231 B	connector housing		X	
13	022 906 233 B	connector housing		X	
		- - - E N D - - -			



Model	Year	MG	SG	Illustration	Restrictions	Update	10:02	08.04.2005	PORSCHE	PET	PORSCHE
9442	88	9	02	902-60		187					



Pos	Part Number	Name	Remarks	Qty	Model
		connector housing 4-pole			
1	901 612 891 01	connector housing with		X	
-	999 652 371 12	bush		X	
2	901 612 891 00	connector housing with		X	
-	999 652 371 12	bush		X	
3	944 612 217 00	connector housing with		X	
-	999 652 351 22	contact bush		X	
4	171 971 999 C	connector housing 1,6		X	
5	171 971 998 C	terminal sleeve housing 1,6		X	
6	914 612 325 00	plug socket 1,6		X	
7	928 612 131 00	connector housing		X	
8	901 612 334 00	socket		X	
9	928 631 108 00	connector housing 6,3		X	
10	803 905 897	connector housing 6,3		X	
		- - - E N D - - -			

Model	Year	MG	SG	Illustration	Restrictions	Update	10:02	08.04.2005	PORSCHE	PET	PORSCHE
9442	88	9	02	902-62		187					

Pos	Part Number	Name	Remarks	Qty	Model
		connector housing 5-pole 6-pole 7-pole			
1	113 971 835	terminal sleeve housing 2,8		X	
2	901 612 333 00	socket for standard type relay		X	
3	928 612 411 00	clutch with contact bush		X	
4	803 971 835 A	terminal sleeve housing for relay		X	
5	928 612 335 25	fitting piece		X	
6	928 612 332 00	module housing		X	
-	999 652 451 22	fitting piece		X	
7	928 612 331 00	initial housing		X	
8	928 612 542 00	clutch housing		X	
9	944 612 539 00	clutch 6-pole		X	
13	171 971 999 E	connector housing 1,6		X	
14	171 971 998 E	connector housing 1,6		X	
15	803 971 831	terminal sleeve housing 6,3		X	
16	911 612 868 01	clutch with contact bush		6	
(16)	911 612 868 01	clutch with contact bush		6	
17	911 612 867 02	connector with contact pin		X	
				6	

Model	Year	MG	SG	Illustration	Restrictions	Update	10:02	08.04.2005	PORSCHE	PET	PORSCHE
9442	88	9	02	902-62		187					

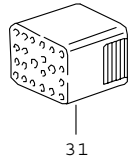
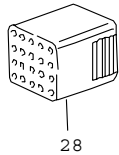
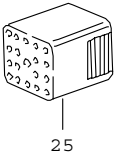
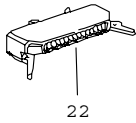
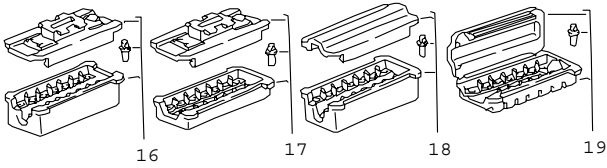
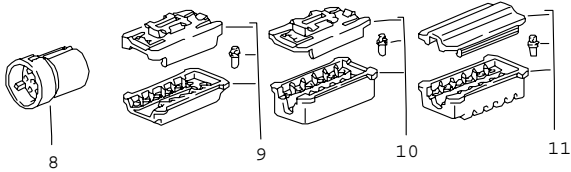
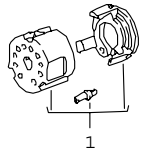
Pos	Part Number	Name	Remarks	Qty	Model	Pos	Part Number	Name	Remarks	Qty	Model
18	928 612 469 00	clutch for contact pin		X							
19	944 612 537 00	clutch		X							
20	901 612 330 00	multiple plug connection		X							
21	901 612 061 00	clutch 7-pole		X							
27	911 612 332 00	socket		X							
28	911 612 331 00	connector		X							
29	803 971 980	connector		X							
30	803 971 979	plug socket		X							
31	071 906 233	terminal sleeve housing		X							
32	111 953 631	terminal sleeve housing		X							
		- - - E N D - - -									

Model	Year	MG	SG	Illustration	Restrictions	Update	10:02	08.04.2005	PORSCHE	PET	PORSCHE
9442	88	9	02	902-64		187					

Pos	Part Number	Name	Remarks	Qty	Model
		connector housing 8-pole 9-pole			
1	944 612 117 00	connector housing with		X	
-	999 652 371 12	bush		8	
2	928 612 117 01	connector housing with		X	
-	999 652 371 12	bush		8	
3	999 652 395 40	connector housing		X	
4	999 652 396 40	clip		X	
5	944 612 554 00	connector housing for		X	
-	944 612 548 00	contact bush			
6	944 612 553 00	connector housing		X	
7	803 971 971	connector housing 6,3		X	
8	113 971 998 B	connector housing		X	
9	321 971 999 A	terminal sleeve housing		X	
10	911 612 120 00	connector housing 6,3		X	
		9-pole			
16	135 937 501 A	terminal sleeve housing		X	
17	849 941 593	connector housing		X	
		- - - E N D - - -			

Model	Year	MG	SG	Illustration	Restrictions	Update	10:03	08.04.2005	PORSCHE	PET	PORSCHE
9442	88	9	02	902-66		187					

Pos	Part Number	Name	Remarks	Qty	Model
		connector housing 10-pole until 22-pole			
1	911 612 889 00	connector housing with contact bush		X	
(2)	944 613 531 01	connector housing for		X	
-	944 612 548 00	contact bush		X	
8	861 972 524	connector housing		X	
9	911 612 122 02	connector housing with contact bush		X	
10	928 612 423 00	connector housing		X	
11	911 612 884 00	connector housing		X	
11	911 612 121 01	connector housing		X	
16	911 612 115 02	connector housing		X	
17	911 612 113 05	connector housing		X	
18	911 612 115 03	connector housing		X	
19	944 612 215 00	connector housing with contact bush		X	
22	944 612 311 00	connector housing for		X	
-	999 652 380 12	contact spring		X	
25	171 971 971 C	connector housing beige		X	
25	171 971 971 E	connector housing white		X	
		20-pole			



Model	Year	MG	SG	Illustration	Restrictions	Update	10:03	08.04.2005	PORSCHE	PET	PORSCHE
9442	88	9	02	902-66		187					

Pos	Part Number	Name	Remarks	Qty	Model	Pos	Part Number	Name	Remarks	Qty	Model
28	171 971 971	connector housing yellow		X							
28	171 971 971 D	connector housing red 22-pole		X							
31	171 971 971 A	connector housing black		X							
31	171 971 971 B	connector housing blue		X							
		- - - E N D - - -									